

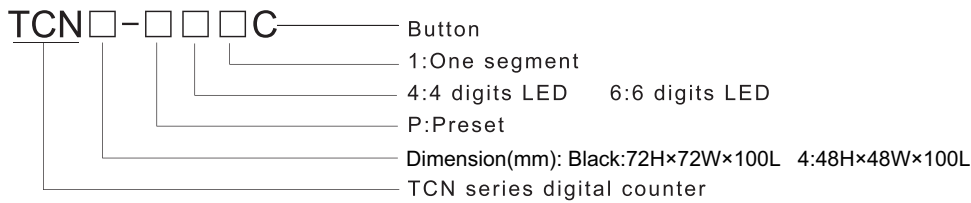
TCN SERIES DIGITAL COUNTER



FEATURES

- ⊙ Double 4 digits LED, 6 digits LED
- ⊙ Set parameter with button
- ⊙ easy to operate
- ⊙ Single counter, single relay
- ⊙ Auto reset, manual reset, key lock, power fail memory
- ⊙ Enhanced anti-interference

CODE ILLUSTRATION



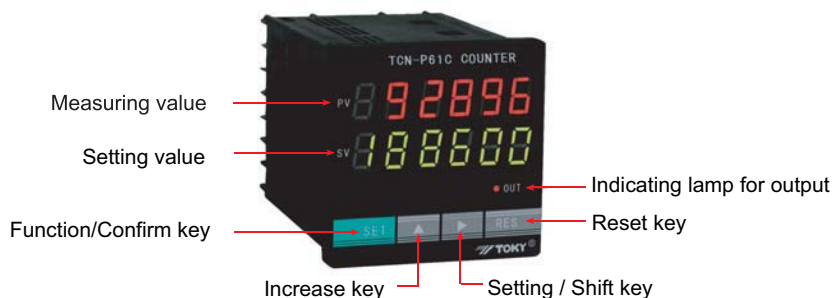
ORDERING CODE

Code	LED	Segment	Power	Dimension(mm)
TCN4-P41C	4 digits	one	220VAC	48H×48W×100L
TCN-P41C	4 digits	one	220VAC	72H×72W×100L
TCN-P61C	6 digits	one	220VAC	72H×72W×100L

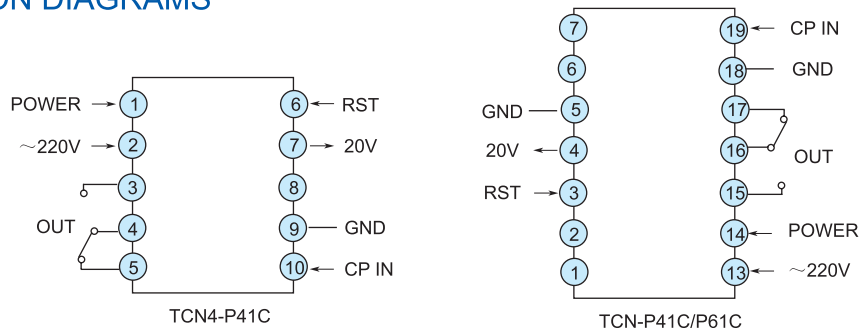
TECHNICAL SPECIFICATION

Power	220VAC±10% 50Hz/60Hz
Consumption	≤4W
Capacity of relay	250VAC/3A
Auxiliary power	DC15V±5V(≤25mA)
Insulation impedance	≥20MΩ
Dielectric strength	1.5KV/1M
Frequency	≤300Hz
Range	1~999999 (6digits) 1~9999 (4digits)
Delay time	0.01~99.99S

PANEL ILLUSTRATION



CONNECTION DIAGRAMS



Note: please refer to the diagram sticking on the enclosure if any changes.

DIMENSION

