



technical datasheet

LED Series

Surge and transient protection for LED lighting systems

- Protects LED lighting systems and drivers
- Models to protect 120V-347V and 480V
- Models for both series and parallel connection
- Rated for harsh environments
- UL1449 3rd Edition Type 4 Recognized Component
- 10 year product warranty



The LED Series of surge protection devices are versatile high performance surge protection devices to which can be used in a wide variety of equipment in industrial and commercial applications. The high performance circuitry will protect equipment from damaging electrical transients and disturbances.

The space savings footprint allow the LED Series to be mounted in confined locations while providing protection the Line/Neutral, Line/Ground, and Neutral/Ground modes.

A high level of performance to size ratio is achieved by utilizing Metal Oxide Varistor (MOV) technology alongside high energy discharge tube (gdt) technology together with state of the art failure disconnect network giving added peace of mind.

Fully automatic in operation the LED Series reacts immediately, clamping voltage surges without causing undue leakage losses under normal operation. No operator intervention is required, the LED Series reset automatically and are maintenance free.

Parallel and Series versions available. The LS10-xxxx-S models are series connected devices which automatically disconnect power to the load under fault conditions. The LS12-xxxx-P are parallel connected devices which disconnect themselves from the load under fault conditions leaving power to the load.

Meeting and exceeding the requirements of ANSI/IEEE C62.45 and ANSI/IEEE C62.41 the LED Series is also a UL1449 3rd Edition Recognized Component. With ingress protection to IP66 (NEMA 4X) the LED series can be installed in most locations and carries an unrivalled “no fuss” 10 year manufacturers warranty.

901-178 LED RevA 290911

COOPER Crouse-Hinds

www.mtl-inst.com

enquiry@mtl-inst.com

SPECIFICATION

Maximum surge current

Series connected units: 10kA (8/20 μ s)
Parallel connected units: 12kA (8/20 μ s)

Leakage current

<0.3mA

Maximum continuous operating current

5A series connected units
Unlimited Amps parallel connected units

Working voltage

LS10-347V-S 120-347VAC, 47-63Hz
LS10-480V-S 480VAC, 47-63Hz
LS12-347V-P 120-347VAC, 47-63Hz
LS12-480V-P 480VAC, 47-63Hz

Ambient temperature limits

-40°C to +85°C (operating)
-40°C to +110°C (storage)

Casing

High Temperature Nylon UL94-5V

Weight

15 oz. (425 grams)

Dimensions

See Figures 1 & 2

Ingress protection

IP66 (NEMA 4X)

Approvals

UL1449 SPD Recognized Component
Type 4 for use in Type 2 locations

Standards

- ANSI/IEEE C62.41: 2002 Location C, High Exposure
- ANSI C136.2 10kV BIL
- Meets Surge Protection Requirements of : US Air Force ETL 10-2 LED Fixture Design & Installation Criteria
- Commercial Building Energy Alliances (CBEA) LED Lighting Performance Specifications

ORDERING INFORMATION

Model	Circuit Type	Service	Modes	Maximum Surge Current	Maximum Continuous Operating Voltage	U _p @ 3kA (8/20 μ s)	U _p @ 10kA (8/20 μ s)
LS10-347V-S	Series Hybrid	120-347V, 5A	L-N,L-G,N-G	10kA	420Vac	920V	1140V
LS10-480V-S	Series Hybrid	480V, 5A	L-L, L-G	10kA	510Vac	920V	1140V
LS12-347V-P	Parallel Hybrid	120-347V	L-N,L-G,N-G	12kA	420Vac	920V	1140V
LS12-480V-P	Parallel Hybrid	480V	L-L, L-G	12kA	510Vac	920V	1140V

DIMENSIONS

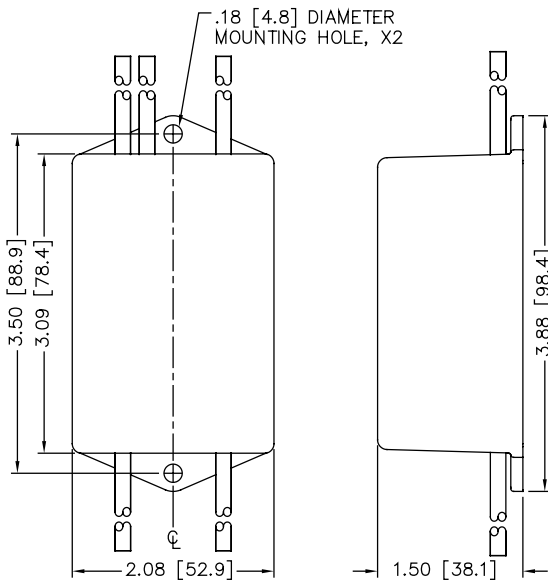


Figure 1: - LS10 models

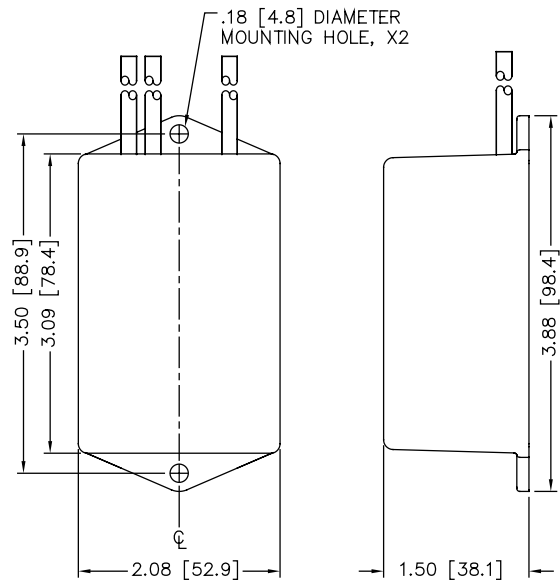


Figure 2: - LS12 models

The given data is only intended as a product description and should not be regarded as a legal warranty of properties or guarantee. In the interest of further technical developments, we reserve the right to make design changes.



EUROPE (EMEA): +44 (0)1582 723633
enquiry@mtl-inst.com

THE AMERICAS: +1 800 835 7075
csinfo@mtl-inst.com

ASIA-PACIFIC: +65 6 645 9888
sales.mtlsing@cooperindustries.com

901-178 LED RevA 290911