

TX3 COMPRESSOR THERMOSTAT

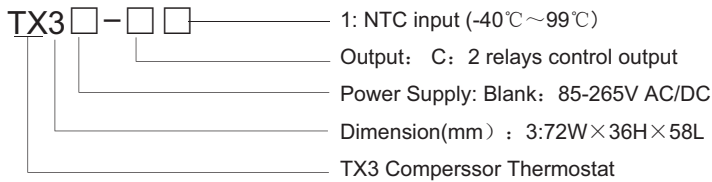


FEATURES

- ⊙ Temperature display/control
- ⊙ Measuring range:-40℃~99℃
- ⊙ Delayed Alarm (special order)
- ⊙ Time defrosting
- ⊙ Sensor break protection /error display

Application: TX3 compressor thermostat is special designed for refrigerating apparatus and machines. TX3 is with the function of constant temperature controlling ,defrosting and protecting frigerating compressor by press key simple setting.

CODE ILLUSTRATION



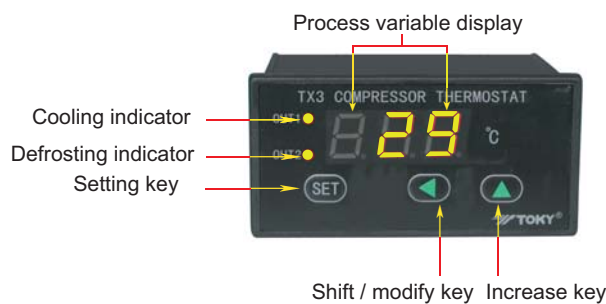
ORDERING CODE

Code	Control Output	Input Type	Dimension(mm)
TX3-C1	2 relay output	NTC-10K	36H×72W×58L

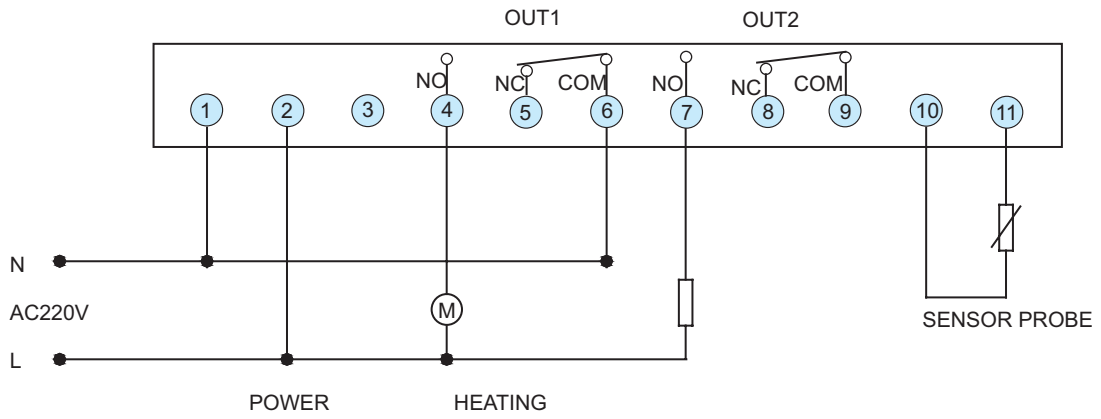
TECHNICAL SPECIFICATION

Power Supply	AC:85~265V (50HZ~60HZ)
Power Consumption	<1.5VA
Ambient Temperature	0℃~50℃
Ambient Humidity	<80%RH
Measuring Accuracy	±1℃
Temperature Drift	±3digit
Input type	Single NTC-10K
Resolution	1℃
Sampling Time	0.5S
Output Mode	Relay Output
Relay Capacity	AC 250V/3A或DC 30V/3A

PANEL ILLUSTRATION



CONNECTION DIAGRAM



DIMENSIONS AND CUT-OUT

