

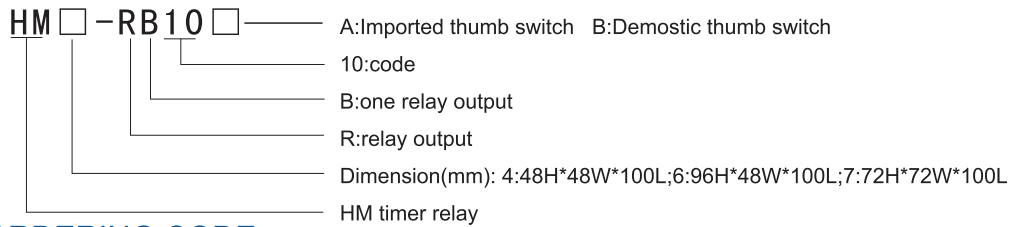
HM THUMB SWITCH SETTING TIMER RELAY



FEATURES:

- ⊙ LED display
- ⊙ Set with thumb switch
- ⊙ Optional external enable control
- ⊙ Data holding for power fail
- ⊙ Optional dimensions
- ⊙ Delay output set freely

CODE ILLUSTRATION



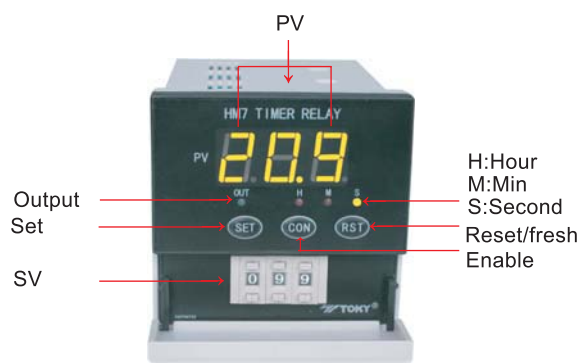
ORDERING CODE

Model	Dimension(mm)	Timing range	LED display	Output mode
HM4-RB10A	48H*48W*100L	0.1S~99.9H	3 digits	R,N,C
HM6-RB10A	96H*48W*100L	0.1S~99.9H	3 digits	R,N,C
HM7-RB10A	72H*72W*100L	0.1S~99.9H	3 digits	R,N,C
HM4-RB10B	48H*48W*100L	0.1S~99.9H	3 digits	R,N,C
HM6-RB10B	96H*48W*100L	0.1S~99.9H	3 digits	R,N,C
HM7-RB10B	72H*72W*100L	0.1S~99.9H	3 digits	R,N,C

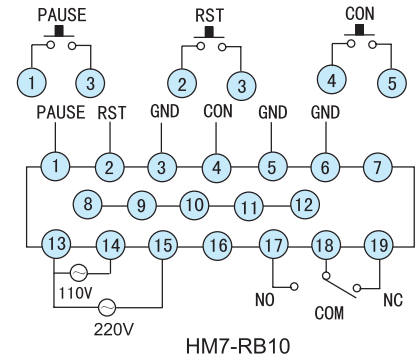
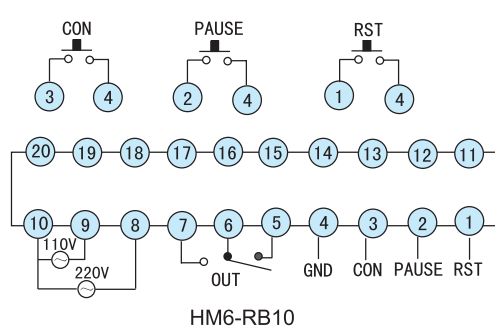
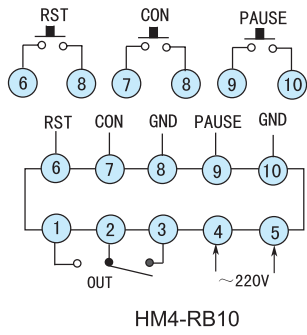
TECHNICAL SPECIFICATION

Power supply	50Hz/60Hz AC 220V/110V±10%
Energy consumption	<5W
Timing accuracy	±0.1%
Reset time	<0.2S
Contact load	AC 250V 3A (resistance load)
Timing range	0.1S~99.9H
Dealy range	0.1S~99.9H
Ambient temp	0°C~+50°C
Ambient humidity	45~75% R.H
Life	Mechanical life:5 million times above; electrical life:100,000 times under nominal load

PANEL ILLUSTRATION



CONNECTION



Note: all connections are subject to the diagram on the meter for change if any.

DIMENSION

