

## TX3 COMPACT SIZE TEMPERATURE CONTROLLER

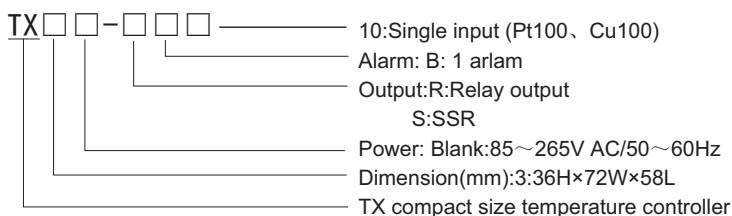


### FEATURE

- ⊙ Compact size
- ⊙ Various RTD input, widely application
- ⊙ ON-OFF/normal PID/auto-tuning PID control
- ⊙ Optional control output: Relay , SSR

Applications: Widely applied in chemical, petrochemical, thermal power, metallurgy ,pharmacy, light industry, machinery, heat treatment and lab equipments for temperature indicate and control.

### CODE ILLUSTRATION



\* SCR output or Cu 50 input should be special ordered.

### ORDERING CODE

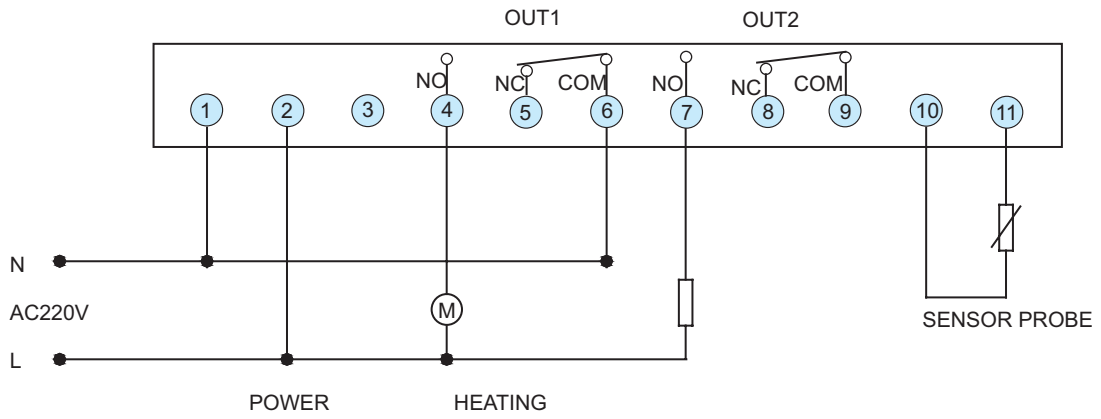
Code	Control Ouput	Alarm Output	Accuracy	Power	Input Type
TX3-RB10	Relay	Up or Down	±0.5%FS±2digit	85~265V AC/DC	Pt100/Cu100
TX3-SB10	SSR	Up or Down	±0.5%FS±2digit	85~265V AC/DC	

\* The default input is Pt100

### TECHNICAL SPECIFICATION

Power Supply	85-265V AC or 24V DC
Power Consumption	5W
Ambient Temperature	0℃-50℃
Ambient Humidity	<80%RH
Measuring Accuracy	±0.5%FS
Temperature Drift	±3digit
Input type	PT100/CU100
Resolution	0.1℃
Sampling Time	0.5 S
Control Output	Relay / SSR
Relay Rating	250V AC 3A, or 30 VDC 3A
SCR Control Output	None
4-20mA Current Outpput	12VDC or 24VDC, I <sub>max</sub> =30mA
SSR Control Output	ON-OFF/normal PID/auto-tuning PID control
Control Mode	ON-OFF/normal PID/auto-tuning PID control
Control Cycle	0-250S select by customers
Alarm Type	Single alarm, optional
Data Writing Life	1,000,000 times
Communication	None
Dimensions	36H×72W×58L

## CONNECTION DIAGRAM



## DIMENSIONS AND CUT-OUT

