

SOLID STATE RELAY

MAIN APPLICATION

- Plastic extrusion lines and injection presses
- Packing and packaging machines
- Polymerization and production plants for synthetic fibers
- Rubber vulcanization plants
- Driers for ceramics and construction elements
- Chemical and pharmaceutical industry
- Industrial electric furnaces
- Food processing plants

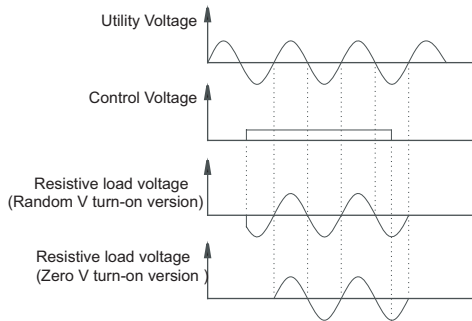


MAIN FEATURE

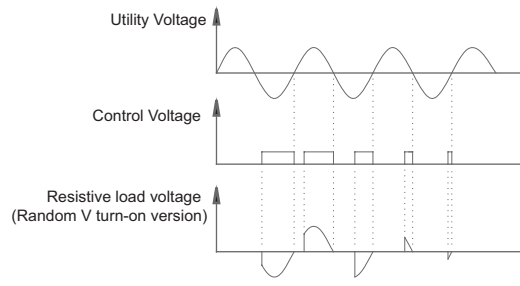
- Zero voltage and random voltage turn-on versions
- Use the electronic material with good performance
- Non-repetitive voltage:800V
- Control voltage:5-32V dc
- Rated isolation voltage input/output: 2000V ac
- IP 20 protection
- RED LED indicator

GENERAL

- Zero voltage and random voltage turn-on version relay are the most used solid state relay in industrial applications
- Zero voltage turn-on version is energised when voltage meets the zero point (about $\pm 15V$) and disenergised when current meets the zero point, depending on the signal control on the input circuit. (Pic. 1)
- Random voltage turn-on version is energised when input valid control signal, and if not input signal it is disenergised until the load current less than the holding current.
- A wide range of accessories is available (including fuses and fuse holders, heat sinks and thermostats). To choose accessories, see the section "Solid state relays - Accessories."



Pic. 1



Pic. 2

TECHNICAL DATA

1. Electrical features

- Category of use: AC1
- Static dV/dt (Off-state): 100V/ μs
- Dynamic dV/dt (On-state): 20V/ μs
- On-State Voltage Drop (Max.):2V
- Switching voltage for zero: 15V
- Isolation: 2,000V ac minimum
- Operating Temperature Range: -30°C - 75°C
- Turn-On Time (Max.):10ms
- Turn-Off Time (Max.):10ms
- Nominal frequency: 50/60Hz

Input/Output specifications

Model	Control Voltage	Active & De-active voltage	Turn-on Version	Rated Current	Rated Voltage	Fuse I ² T
RMA-15A400	5/6...32VDC	Zero-crossing Verion: Active Volatage:≥4.5V Deactive Voltage:≤3V Random Version: Active Volatage:≥5.6V Deactive Voltage:≤4V	Zero-crossing	15A	400V	72A ² S
RMA-15A400P			Random	15A		72A ² S
RMA-25A400			Zero-crossing	25A		315A ² S
RMA-25A400P			Random	25A		315A ² S
RMA-40A400			Zero-crossing	40A		315A ² S
RMA-40A400P			Random	40A		315A ² S
RMA-60A400			Zero-crossing	60A		1800A ² S
RMA-60A400P			Random	60A		1800A ² S
RMA-80A400			Zero-crossing	80A		2450A ² S
RMA-80A400P			Random	80A		2450A ² S

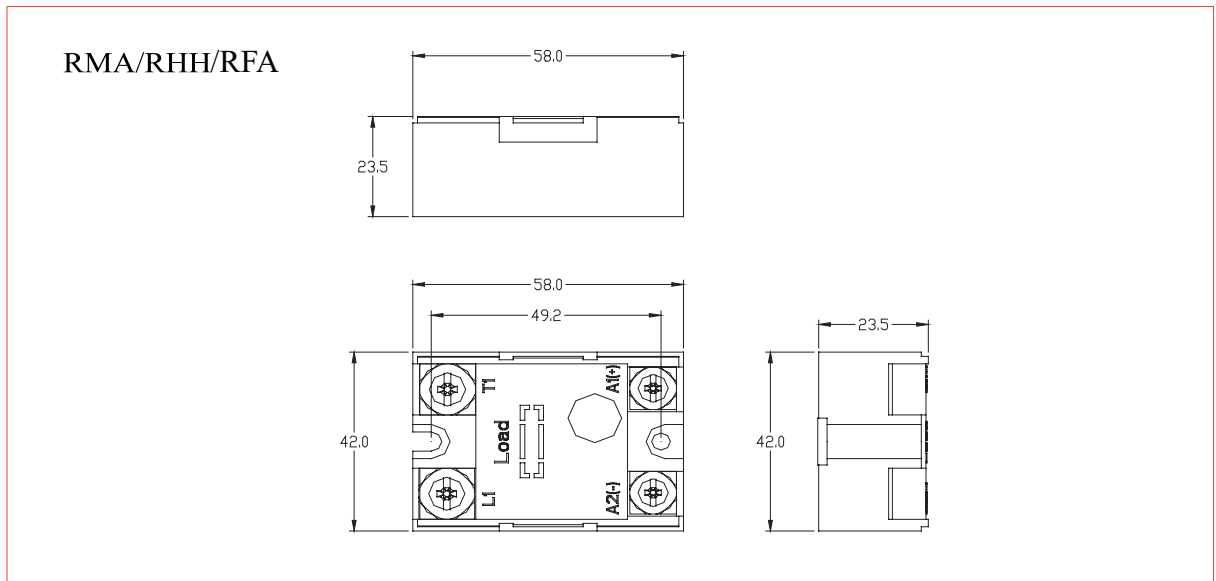
2.Heatsink Recommendations

- We recommend that solid state relay modules be mounted to a heatsink sufficient to maintain the module's base temperature at less than 75°C under worst case ambient temperature and load conditions.
- The heatsink mounting surface should be a smooth (0.05mm finish), flat (0.05mm flatness across mating area), un-painted surface which is clean and free of oxidation.
- An even coating of thermal compound should be applied to both the heatsink and module mountingsurfaces and spread to a uniform depth of .002" to eliminate all airpockets.
- The module should be mounted to the heatsink using two M4 screws.

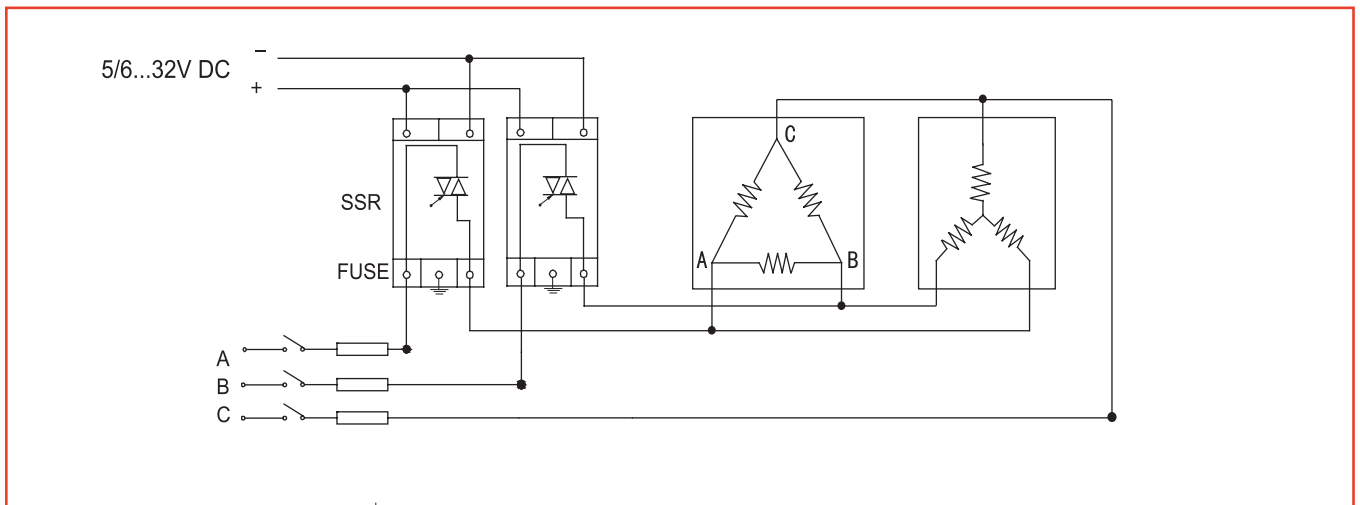
Model	Control Voltage	Active & De-active voltage	Turn-on Version	Rated Current	Rated Voltage	Fuse I ² T
RHH-25A400	5...32VDC	Zero-crossing Verion Active Volatage:≥4.5V Deactive Voltage:≤3V	Zero-crossing	25A	400V	645A ² S
RHH-40A400				40A		1010A ² S
RHH-60A400				60A		6600A ² S
RHH-80A400				80A		8000A ² S

Model	Control Voltage	Active & De-active voltage	Turn-on Version	Rated Current	Rated Voltage	Fuse I ² T
RFA-25A400	6...32VDC	Zero-crossing Verion Active Volatage:≥4.5V Deactive Voltage:≤3V	Zero-crossing	25A	400V	645A ² S
RFA-40A400				40A		1010A ² S
RFA-60A400				60A		6600A ² S
RFA-80A400				80A		8000A ² S

■ OUTLINE DIMENSIONS



🔧 OPERATING DIAGRAMS



■ ORDER CODE

